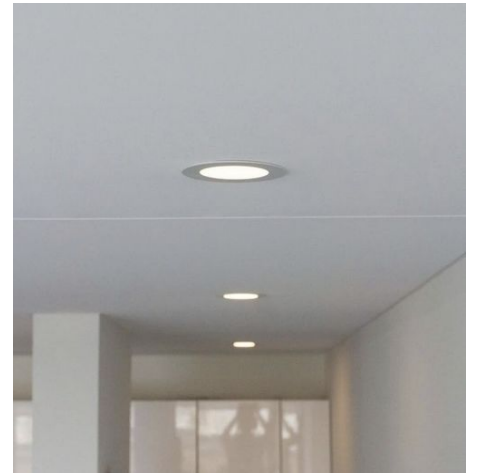


Features:

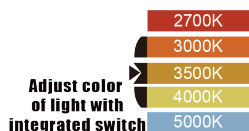
- IC Rated, isolated driver
- Ultra thin profile
- Night light mode option
- High brightness LEDs, CRI > 90, excellent color consistency
- 4"6" Die-cast aluminum material body
- ETL approved
- Canless design, no housing needed, junction box included, easy and quick installation
- Smooth, Uniform Dimming;



Night light mode

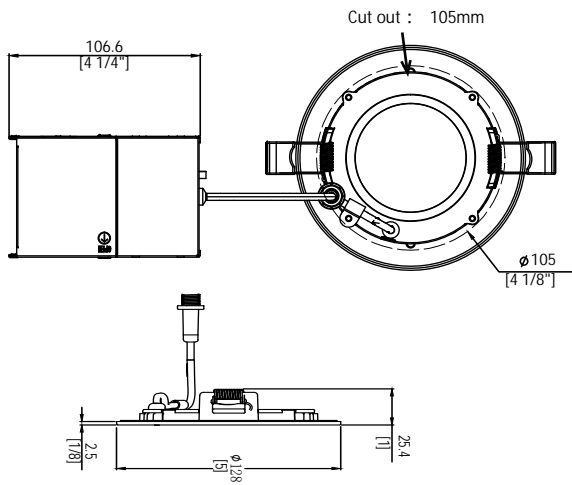


CCT switch

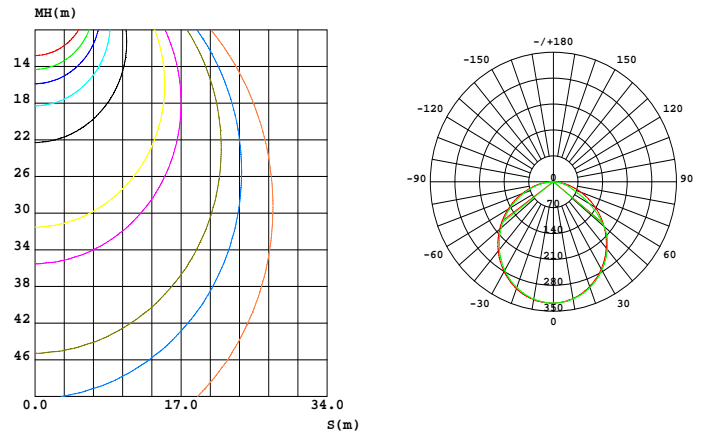


4"

Dimensions

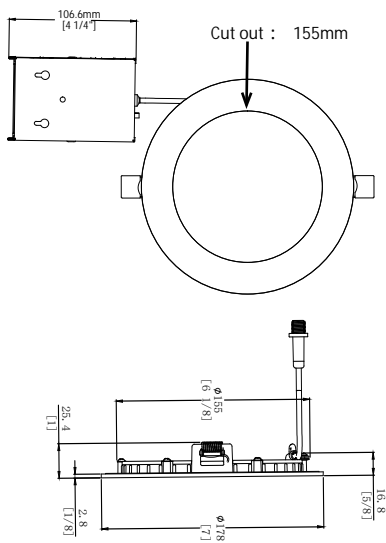


Light Distribution

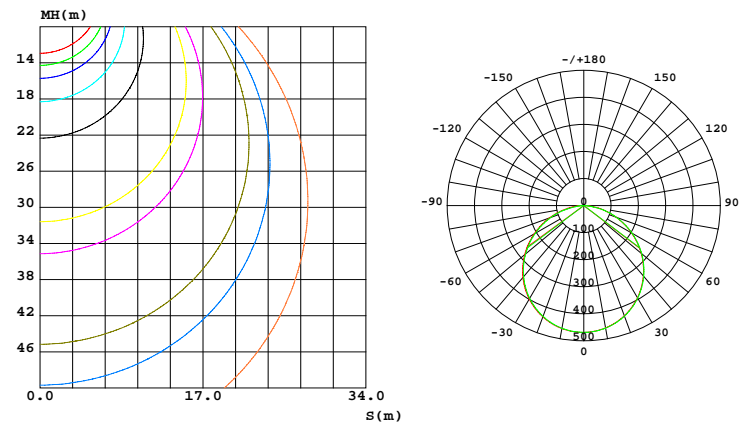


6"

Dimensions



Light Distribution

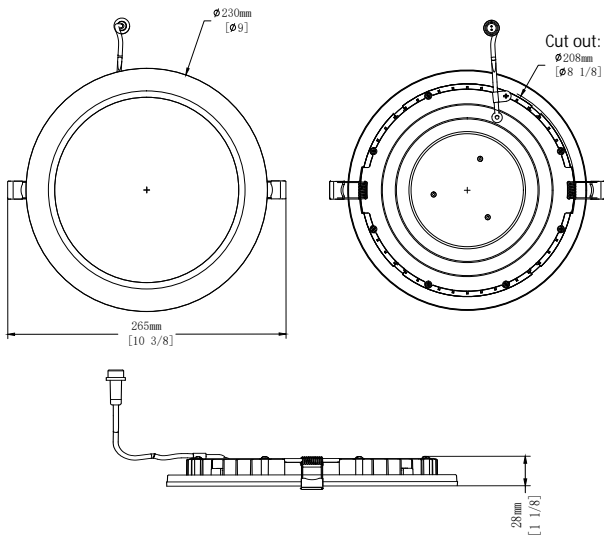


Specifications:

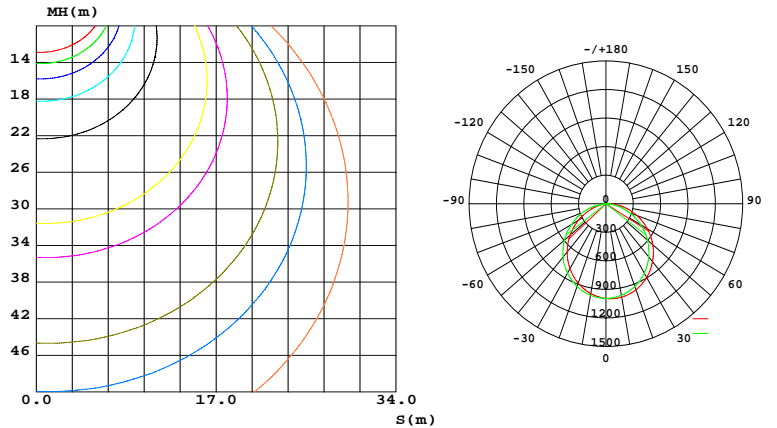
Model	DLD2-04-11-50K / DLD2-04-11-5CT	DLD2-04-11-6CT	DLD2-06-14-50K / DLD2-06-14-5CT	DLD2-06-14-6CT	DLD2-06--14-RGB
Power	11W	11W+3W	14W	14W+3W	14W
CCT	Single CCT / 5 CCT	5 CCT+2000K	Single CCT / 5 CCT	5 CCT+2000K	2700-5000K+RGB
Brightness	900lm	900lm	1200lm	1200lm	1200lm
Dimension	5"x1"	5"x1"	7"x1"	7"x1"	7"x1"
Voltage	120VAC				
Power Efficiency	0.9				
RA	90				
LED Type	SMD2835				
Dimmable	Yes, Triac				

8"

Dimensions



Light Distribution



Specifications:

Model	DLD2-08-27-5CT	DLD2-08-27-6CT
Power	25W	25W+4W
CCT	Single CCT / 5 CCT	5 CCT+2000K
Brightness	2100lm	2100lm
Dimension	9"x1 1/8"	9"x1 1/8"
Voltage	120VAC	
Power Efficiency	0.9	
RA	80	
LED Type	SMD2835	
Dimmable	Yes, Triac	